

ECON

PELLETIZING
IS IN OUR
DNA



✓ **WORLDWIDE TECHNOLOGICAL LEADER**

✓ **TRUSTED DEVELOPMENT PARTNER**



ISO 9001 certified

ECON COLOR MASTERBATCH EDITION

FAST AND EFFICIENT
THE MOST TIME-SAVING COLOR CHANGE

www.econ.eu

ECON UNDERWATER PELLETIZING SYSTEM ESPECIALLY FOR COLOR- MASTERBATCHES

ECON is the leading provider of underwater pelletizing technology with thermally insulated die plates. The thermal insulation ensures that the melt will not “freeze”. Finding the right solution to optimize the production processes of every individual customer is our focus.

Therefore, **ECON** has developed and designed a unique Water Treatment & Drying System for the special requirements of Color-Masterbatch production. This system provides major advantages:

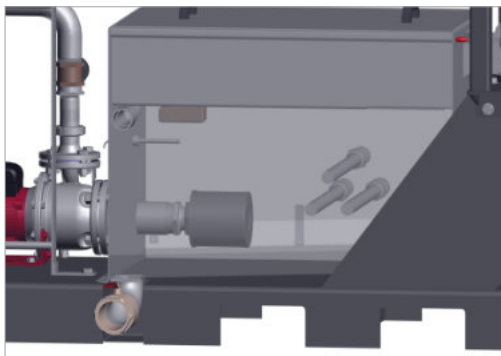
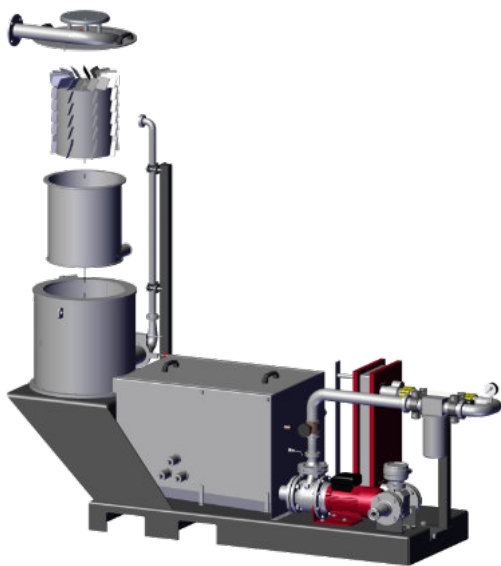
- fast and efficient changeover of material due to straightforward accessibility
- cleaning of all important components in less than 20 minutes
- high equipment availability
- higher quality without lumps due to prevention of sedimentation
- cost-effective

For the production of Color-Masterbatch an efficient cleaning of the components is very important to save costs and resources. **ECON** provides the perfect solution for this requirement. The unique adapted **ECON** Water Treatment & Drying System enables a fast and easy cleaning of the relevant components, due to straightforward accessibility and a compatible construction. This allows an efficient changeover of material in **less than 20 minutes**.



Video





YOUR ADVANTAGES AT A GLANCE:

- easy to open cover
 - fast and easy removal of rotor and screen — no lifting device needed
 - easy cleaning of the components
-
- faster draining of the water tank with a larger exit drain
 - easy and fast cleaning

ECON Color Masterbatch Edition	Throughput capacity
360	up to 300 kg/h (up to 660 lbs/h)
470	up to 600 kg/h (up to 1,320 lbs/h)



FOR ALL THERMOPLASTICS AND SPECIAL APPLICATIONS



PATENTED THERMAL INSULATION TECHNOLOGY



EASY AND SAFE OPERATION



ENERGY-EFFICIENT SOLUTIONS



TAILOR-MADE SOLUTIONS



TRAINING OF YOUR STAFF



PREMIUM SERVICE

- **service quality** for your success
- **flexible service solutions** - for your individual requirements



QUALITY PROOFED ORIGINAL SPARE PARTS

- ECON certified
- locally stocked
- **96% in stock**



PROFESSIONAL REMOTE MAINTENANCE



PREVENTIVE MAINTENANCE

Contact



Downloads



ECON WORLDWIDE

ECON Headquarters AUSTRIA

ECON GmbH
 Biergasse 9 | 4616 Weißkirchen/Traun | AUSTRIA
 Tel. +43 7243 56 560-0 | Fax +43 7243 56 560-19
 office@econ.eu | www.econ.eu
 ISO 9001 certified no. AT18/2669

ECON North America

ECON Inc.
 4662 S. Custer Road | 48161 Monroe | MI | USA
 Tel. +1 734 636 1506 | Fax +1 734 457 5870
 office@econ-us.com | www.econ-us.com

ECON India

ECON Machinery Private Limited
 181, POR Industrial Park | Adjoining POR G.I.D.C. | N.H. 8A | POR
 Vadodara – 391243 | Gujarat | INDIA
 Tel. +91 828 597 665 1
 office@econ-in.com | www.econ-in.com

ECON China

ECON China Ltd.
 Nr. 228 Yuyang Road | Yushan town
 Kunshan City | Jiangsu Province 215301
 People's Republic of China
 Tel. +886 958 573 455
 m.hehenberger@econ.eu

